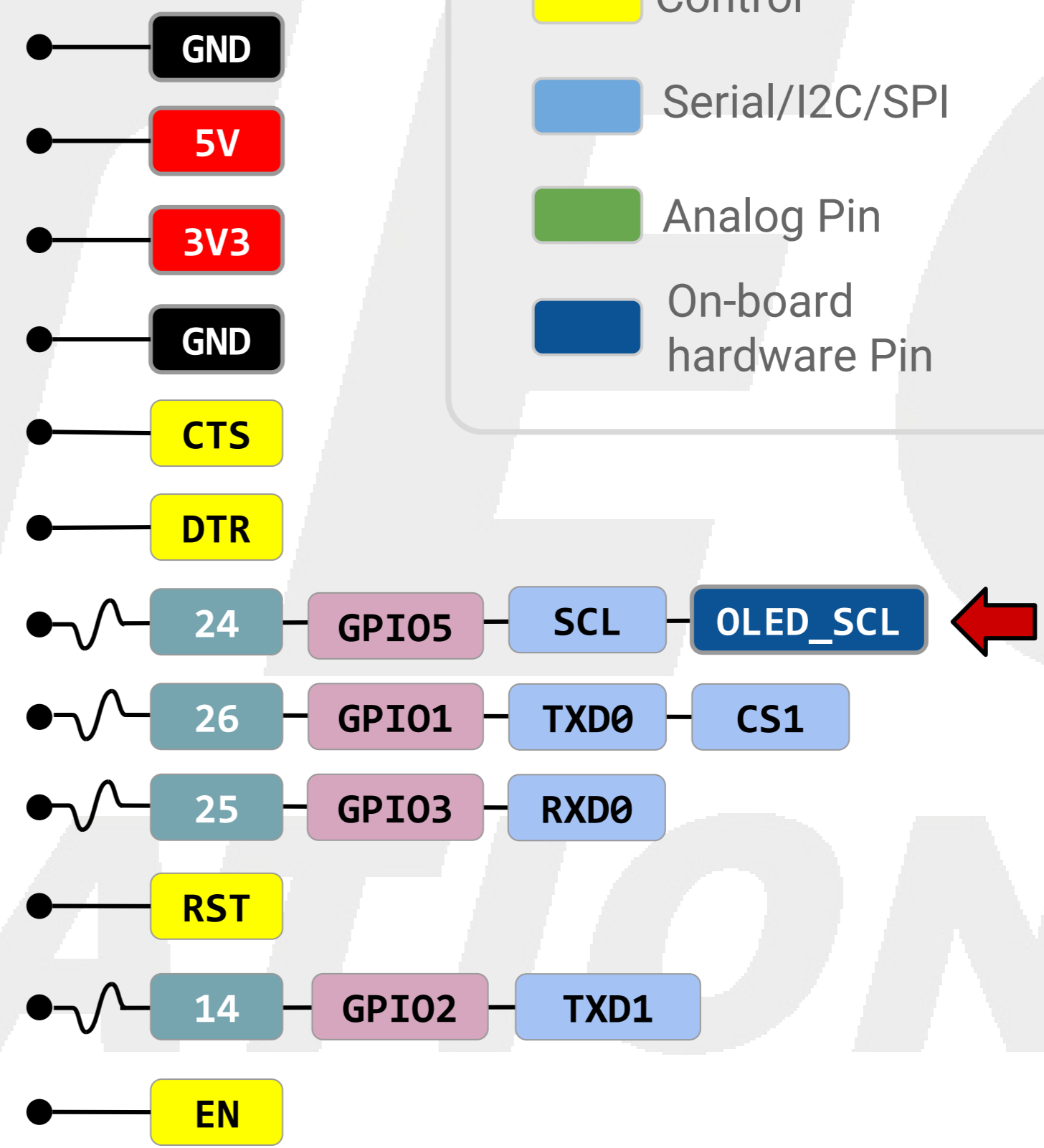
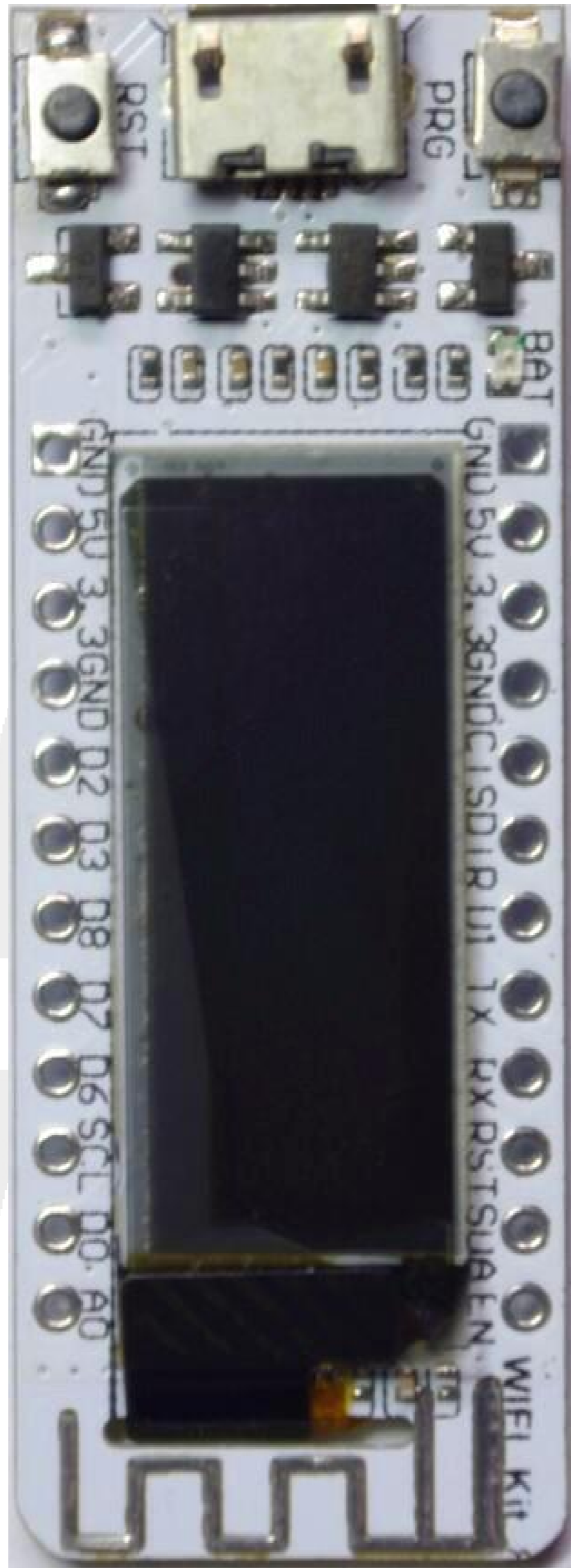
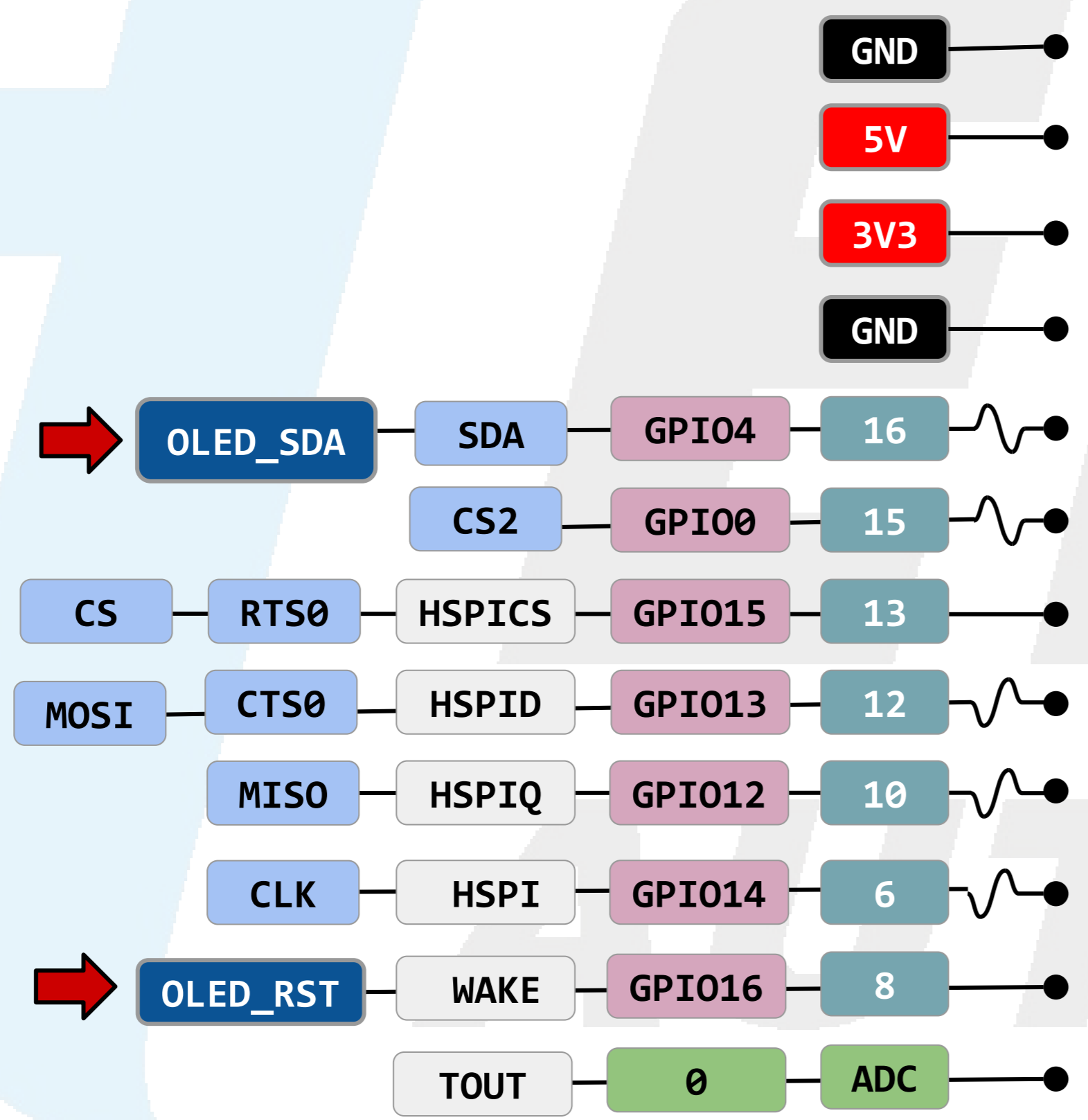


# MiniDK Pinout Diagram

→ Pins with this arrow are used by on-board OLED, they must not be used for other purpose unless you know what you are doing!



- GND
- Power
- Control
- Serial/I2C/SPI
- Analog Pin
- On-board hardware Pin
- NodeMCU Pin
- Port pin
- Pin function
- esp8266 Pin NO.
- PWM/1Wire/I2C

Notes:  
 interrupt / pwm / I2C / one-wire are supported on all IOs except D0  
 Logic level is 3.3V for all IOs.  
 Maximum voltage at A0 is 3.3V!